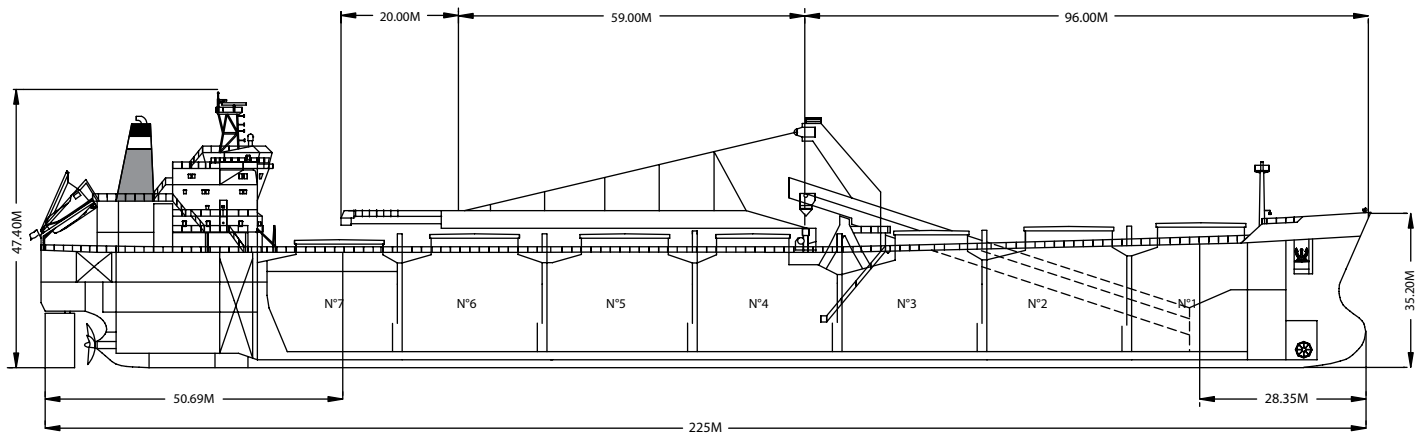
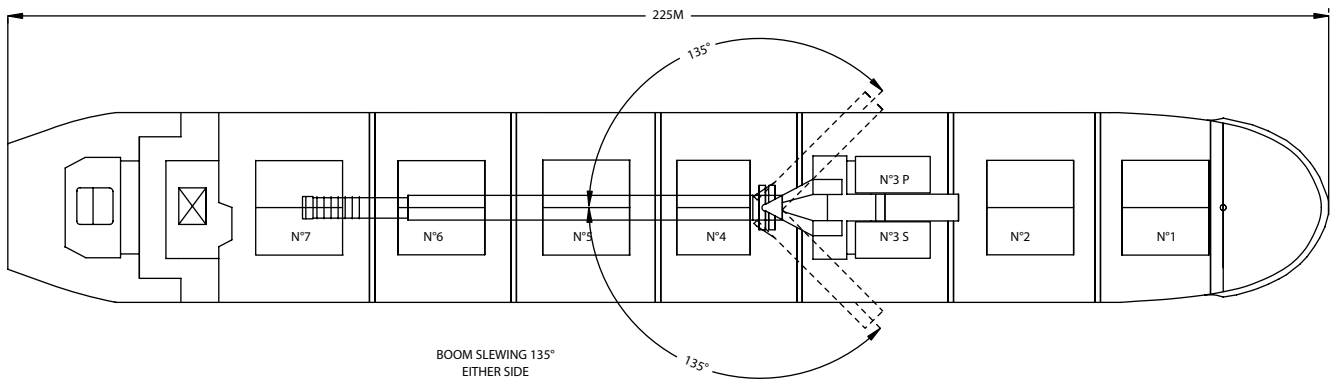
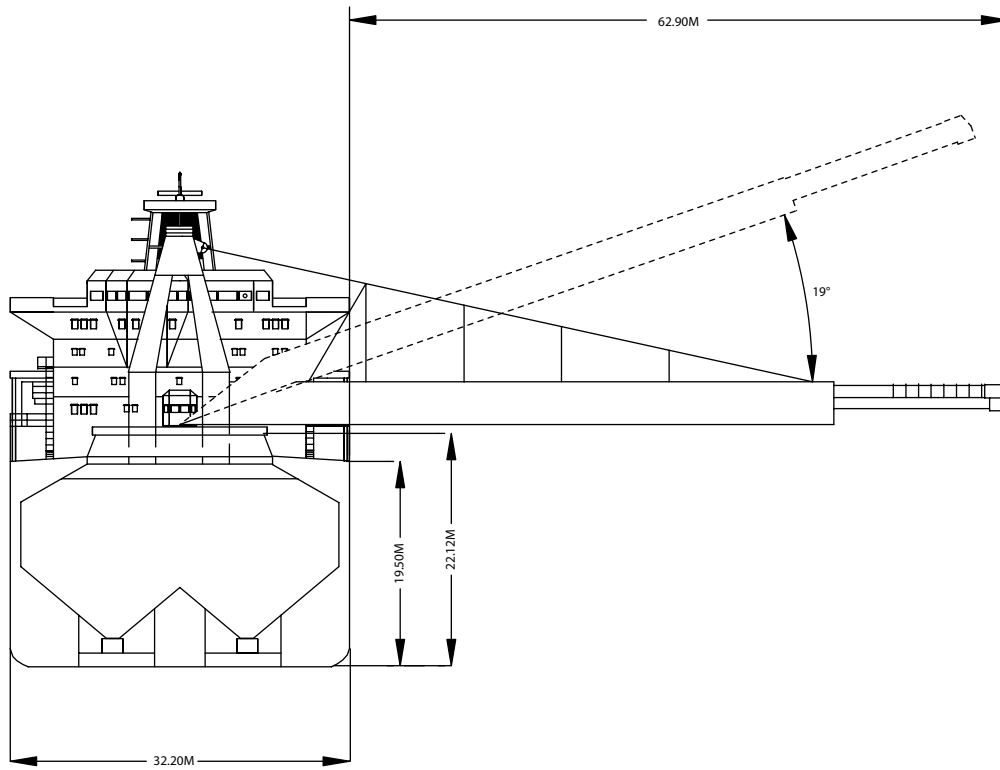




The Sheila Ann unloads gypsum at Tacoma, Washington.

Built	1999
Classification	DNV +1A1
Length Overall	225.00 metres
Breadth Moulded	32.20 metres
Depth Moulded	19.51 metres
Total Hold Capacity (including hatches)	66,333.24 cubic metres
Deadweight	70,037 tonnes
Draft	14.42 metres
Gross Tonnage	41,428 tonnes
Net Tonnage	19,174 tonnes
Bow Thruster	1325 kW
Length of Boom	79.00 metres
Discharge Rate	-Coal	4,000 tonnes/hr
	-Ore	6,000 tonnes/hr



0981-04 08/22/04

Air Drafts												
(metres)												
Draft Condition	Stem	Foremast	Hatches			Cargo Gear	Main Mast		Funnel	Stem	Other Obstruction*	Maximum
			Forward	Midship	Aft		Deployed	Lowered				
Keel	26.36	35.40	24.30	22.46	21.55	43.11	47.28	N/A	42.7	20.00	25.90	47.28
Light Ship	24.55	33.37	22.27	19.00	16.69	40.10	43.05	N/A	38.3	15.34	23.05	43.05
Normal Ballast 50% Bunker	18.71	27.65	16.55	13.53	12.65	34.94	38.54	N/A	33.9	11.10	17.81	38.54
Fully Loaded 50% Bunker	12.21	21.20	10.10	10.11	6.87	28.74	32.67	N/A	28.1	5.32	11.56	32.67

*Incline Belt Gallery max. elevation (above Keel) over aft part of Hold No.3 (may affect loading of the opposite side of the Hold)

Hatch and Hold Specifications									
Hold Number	1	2	3	4	5	6	7	TOTAL	
Hold Volumes (cubic metres)									
Cubic	8,064.2	9,779.9	9,187.7	9,088.4	9,705.0	9,772.2	8664.8	64262.1	
Maximum Grain	8,335.9	10,044.6	9,545.0	9,556.1	9,925.4	9,992.6	8,933.7	66333.2	
Grain in way of Hatch	271.7	264.6	357.3	467.7	220.4	220.4	268.9	2071.2	
Hold Openings (metres)									
Number of Openings	1	1	2	1	1	1	1	1	8
Opening Length	14.76	14.76	12.30	12.30	14.76	14.76	14.76	14.76	
Opening Width	16.00	16.00	5.80	16.00	16.00	16.00	16.00	16.00	
Coaming Height above Keel	23.90	23.20	22.50	22.03	22.10	22.10	21.10	21.10	
Hatch Information (metres)									
Description	Side-rolling Panels	Side-rolling Panels	Side-rolling Panels	Side-rolling Panels	Side-rolling Panels	Side-rolling Panels	Side-rolling Panels	Side-rolling Panels	
Operation	Hydraulic	Hydraulic	Hydraulic	Hydraulic	Hydraulic	Hydraulic	Hydraulic	Hydraulic	
Hatch Length	15.06	15.06	12.62	12.60	15.06	15.06	15.06	15.06	
Hatch Width	8.15	8.15	6.12	8.15	8.15	8.15	8.15	8.15	
Hatch Top Height above Keel	24.85	24.15	23.45	22.97	23.05	23.05	22.05	22.05	

Cargo Handling Equipment
• Telescopic boom
• A shuttle-type conveyor is fitted at the toe and extends boom 20m
• Two 3.5 m/s hold conveyors
• Two 3.5 m/s transfer conveyors. One 4.0 m/s inclined belt.
• All belts 1.8m wide with 35 degree trough
• Dust Suppression: All holds and transfer points are fitted with positive air pressure dust collectors plus water sprayers and surfactant applicators.
• Unloader Inner Boom Length: 59.00 metres
• Discharge Rate - Coal: 4,000 tonnes/hr - Ore: 6,000 tonnes/hr
• Maximum Boom Outreach: 62.90 metres

Speed Consumption					
	Speed		Consumption		
	Loaded	Ballast	Loaded	Ballast	Port
At Sea	13.50	14.00	32.00	31.00	N/A
Loading					4.10
Discharge					7.00

For more information on this ship please visit
www.cslships.com

